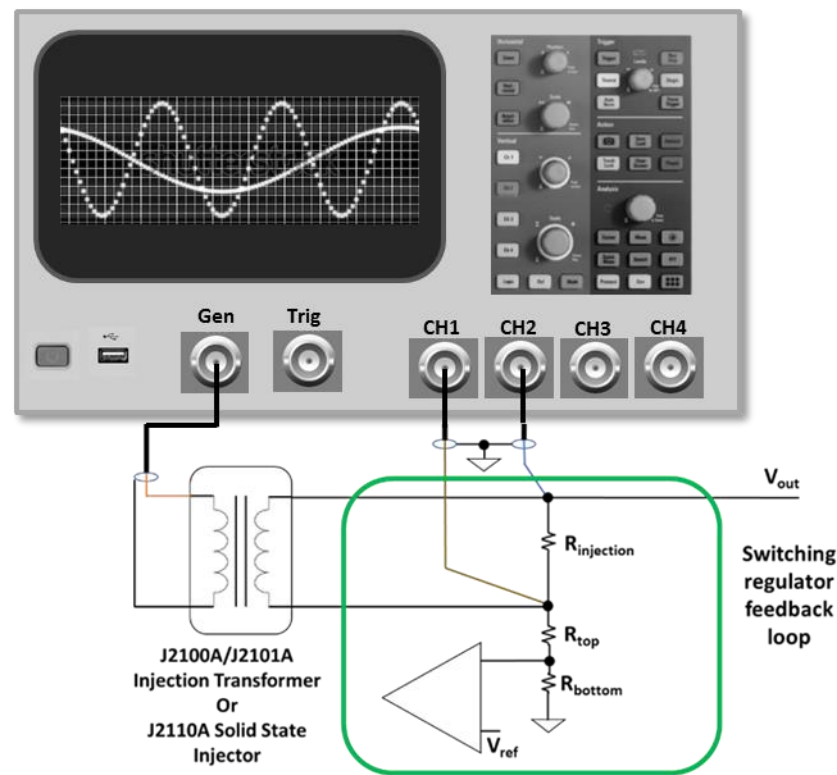


FRA Bundle for Oscilloscopes Supports Bode Plots and PSRR Featuring Picotest Signal Injectors

The Picotest Frequency Response Analyzer (FRA) Bundle is required to perform Bode Plot and PSRR testing using today's Oscilloscopes

Bode plot and Power Supply Rejection Ratio (PSRR) measurements are essential to assessing power supply stability and performance. The Picotest FRA bundle enables the FRA features of popular oscilloscopes to perform these tests. The essential bundle includes the Picotest J2120A Line Injector (PSRR/PSMR) and the J2100A Injection Transformer (Bode plots/stability). For more information see www.Picotest.com.



Set up diagram to measure Bode plots on an oscilloscope. The FRA OUTPUT supplies the stimulus signal which is injected into the control loop via the Picotest J2100A Injection Transformer. Other injection transformer options are available from Picotest as well including the J2101A (10Hz – 45MHz) and the solid state J2110A (DC-45MHz++).

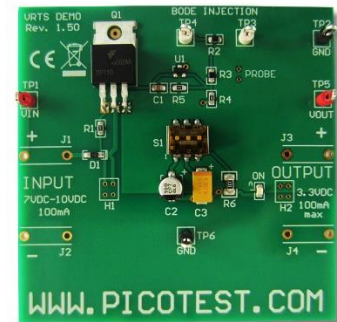
The Picotest FRA bundle includes:



J2120A Line Injector (PSRR measurement)



J2100A Injection Transformer (1Hz-5MHz) (Bode Plot measurement)



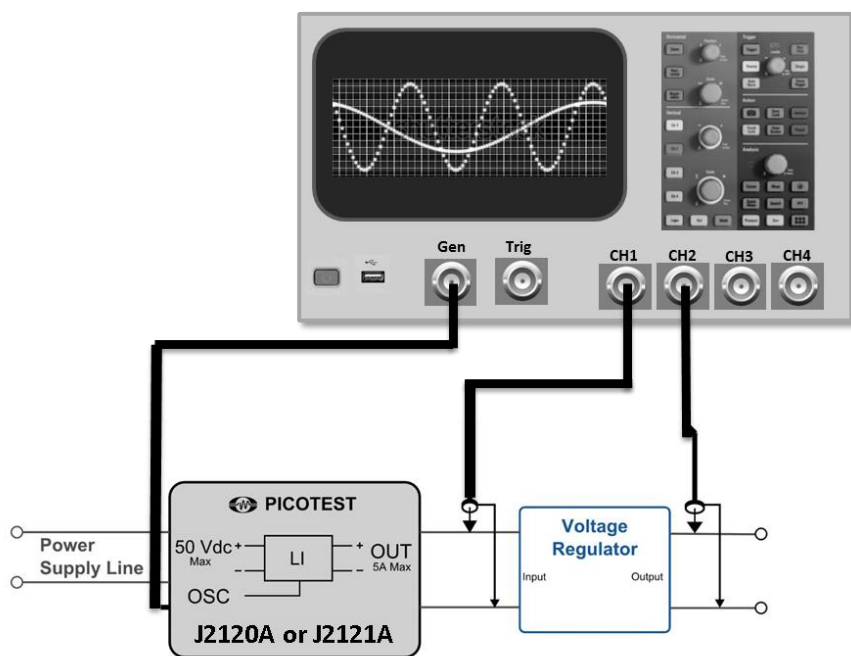
VRTS1.5 Test/Training board



The FRA Bundle includes an Injection Transformer for Bode Plot testing and a Line Injector for PSRR testing

Power Supply Rejection Ratio (PSRR) is an important parameter in power supply design and design engineers want to measure it accurately. PSRR is a measurement of how much noise is transferred from the power supply's input to its output. The FRA options of many oscilloscopes now allow you to perform this critical test. Picotest provides the necessary signal injectors that combine the modulation signal from the scope with the bus voltage allowing the measurement to be made. The Picotest J2120A is the line injector you need to make PSRR measurements.

Visit <https://www.picotest.com/measurements/PSRR.html> for more information on the PSRR measurement. Visit <https://www.picotest.com/measurements/2-port.html> for more information on the 2-Port Shunt-Through impedance measurement.



Set up diagram to measure PSRR with the Picotest J2120A on an oscilloscope.

Optional Signal Injector:



Wider Frequency Range - J2110A Solid State Injector (DC-45MHz++) for Bode Plots

To learn how this solution can address your specific needs please contact Picotest:

877-914-7426

info@picotest.com

www.picotest.com

© Picotest, 2019 www.picotest.com

