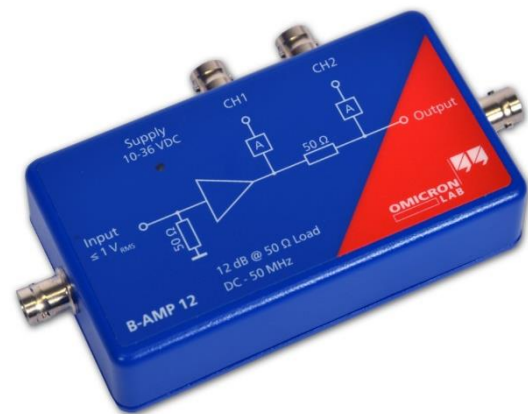


# B-AMP 12

## Power amplifier for Bode 100

### User Manual



- |                                      |                                   |
|--------------------------------------|-----------------------------------|
| <b>EN</b> Safety instructions        | <b>DE</b> Sicherheitshinweise     |
| <b>BG</b> Указания за безопасност    | <b>CS</b> Bezpečnostní pokyny     |
| <b>DA</b> Sikkerhedsanvisninger      | <b>EL</b> Οδηγίες ασφαλείας       |
| <b>ES</b> Instrucciones de seguridad | <b>ET</b> Ohutusjuhised           |
| <b>FI</b> Turvallisuusohjeet         | <b>FR</b> Consignes de sécurité   |
| <b>HR</b> Sigurnosne upute           | <b>HU</b> Biztonsági utasítások   |
| <b>IT</b> Istruzioni di sicurezza    | <b>LT</b> Saugos nurodymai        |
| <b>LV</b> Drošības instrukcijas      | <b>NL</b> Veiligheidsinstructies  |
| <b>PL</b> Instrukcje bezpieczeństwa  | <b>PT</b> Instruções de segurança |
| <b>RO</b> Instrucțiuni de siguranță  | <b>SK</b> Bezpečnostné pokyny     |
| <b>SL</b> Varnostna navodila         | <b>SV</b> Säkerhetsinstrukt       |



Version: ENU11880503— Year: 2019

© OMICRON Lab, OMICRON electronics. All rights reserved.

This manual is a publication of OMICRON electronics.

All rights including translation reserved. Reproduction of any kind, e.g., photocopying, microfilming, optical character recognition and/or storage in electronic data processing systems, requires the explicit consent of OMICRON electronics. Reprinting, wholly or in part, is not permitted.

The product information, specifications, and technical data embodied in this manual represent the technical status at the time of writing and are subject to change without prior notice.

Windows is a registered trademark of Microsoft Corporation. OMICRON Lab and Smart Measurement Solutions are registered trademarks of OMICRON electronics.

# Safety Instructions

<b>EN</b>	Safety instructions, designated use and operator qualifications .....	11
<b>DE</b>	Sicherheitshinweise, bestimmungsgemäße Verwendung und Qualifikation des Bedienpersonals .....	11
<b>BG</b>	Указания за безопасност, предназначение и квалификации на оператора .....	11
<b>CS</b>	Bezpečnostní pokyny, určené použití a kvalifikace operátora .....	11
<b>DA</b>	Sikkerhedsanvisninger, tilsigtet brug og operatørkvalifikationer .....	12
<b>EL</b>	Οδηγίες ασφαλείας, προβλεπόμενη χρήση και προσόντα χειριστών .....	12
<b>ES</b>	Instrucciones de seguridad, aplicación prevista y cualificaciones de los operadores .....	12
<b>ET</b>	Ohutusjuhised, kasutusotstarve ja kasutaja kvalifikatsioon .....	12
<b>FI</b>	Turvallisuusohjeet, käyttötarkoitus ja käyttäjän pätevyys .....	13
<b>FR</b>	Consignes de sécurité, utilisation prévue et qualifications des opérateurs .....	13
<b>HR</b>	Sigurnosne upute, predviđena namjena i kvalifikacije rukovatelja .....	13
<b>HU</b>	Biztonsági utasítások, rendeltetésszerű használat és kezelői szakképesítési követelmények .....	13
<b>IT</b>	Istruzioni di sicurezza, utilizzo previsto e qualifiche degli operatori .....	14
<b>LT</b>	Saugos nurodymai, numatytasis naudojimas ir operatoriaus kvalifikacijos .....	14
<b>LV</b>	Drošības instrukcijas, paredzētā izmantošana un operatora kvalifikācija .....	14
<b>NL</b>	Veiligheidsinstructies, beoogd gebruik en kwalificaties van de bediener .....	14
<b>PL</b>	Instrukcje bezpieczeństwa, przeznaczenie i kwalifikacje operatora .....	15
<b>PT</b>	Instruções de segurança, uso designado e qualificações do operador .....	15
<b>RO</b>	Instrucţiuni de siguranţă, destinaţia de utilizare şi calificările operatorului .....	15
<b>SK</b>	Bezpečnostné pokyny, určené použitie a kvalifikácia obsluhy .....	16
<b>SL</b>	Varnostna navodila, predvidena uporaba in kvalifikacije upravljavca .....	16
<b>SV</b>	Säkerhetsinstruktioner, avsedd användning och användarkvalifikationer .....	16

# 1 Compliance statements and recycling

## 1.1 Declaration of conformity (EU)

The *B-AMP 12* adheres to the guidelines of the council of the European Community for meeting the requirements of the member states regarding the electromagnetic compatibility (EMC) directive and the RoHS directive.

## 1.2 Information for disposal and recycling



This test set (including all accessories) is not intended for household use. After use the test set cannot be disposed of as household waste!

**For customers in EU countries (incl. European Economic Area):**

OMICRON test sets are subject to the EU Waste Electrical and Electronic Equipment Directive (WEEE directive). As part of our legal obligations under this legislation, OMICRON offers to take back the OMICRON test set and ensure that it is disposed of by an authorized recycling facility.

**For customers outside the European Economic Area:**

Please contact the competent authorities for the relevant environmental regulations in your country and dispose the OMICRON test set only in accordance with your local legal requirements.

## 2 Safety

### 2.1 Disclaimer

If the equipment is used in a manner not specified by the manufacturer, the protection provided by the equipment may be impaired. Opening the *B-AMP 12* invalidates all warranty claims. Before operating the *B-AMP 12*, read the safety instructions in this document carefully. If you do not understand some safety rules, contact OMICRON Lab before proceeding.

### 2.2 Designated use

*B-AMP 12* has been designed to amplify voltages smaller or equal to 1 Vrms in the frequency range from DC – 50 MHz. *B-AMP 12* has been especially designed for the use in laboratory and manufacturing environments.

### 2.3 Safety instructions

Before operating always make sure that neither the *B-AMP 12* nor its accessories are damaged.

Test setups that include the *B-AMP 12* must comply with the internal safety instructions and all additional safety relevant documents.

#### For your safety

The *B-AMP 12* may only be operated by trained personnel. Any maloperation can result in damage to property or persons.

#### Rules for use

- ▶ *B-AMP 12* is a SELV device (Safety Extra Low Voltage in accordance to IEC 60950), also known as protection class III equipment.
- ▶ Do not apply hazardous voltage levels >50 VDC or >25 VAC to any input or output of *B-AMP 12*.
- ▶ Be aware that no indication on the *B-AMP 12* shows that the output is active. This could be especially critical if additional amplifiers are connected to the *B-AMP 12*.
- ▶ Testing with the *B-AMP 12* shall only be carried out by authorized and qualified personnel. Before starting to work, clearly establish the responsibilities of all personnel involved.
- ▶ Do not operate the *B-AMP 12* when explosive gas or vapours are present.

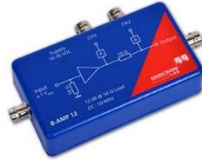
### 2.4 Cleaning

To clean the *B-AMP 12*, use a cloth dampened with isopropanol alcohol. Prior to cleaning, always ensure that all connections to the *B-AMP 12* and DUT are disconnected.

### 3 Device Overview

**Delivery includes:**

B-AMP 12 amplifier



Wall adapter (power supply)

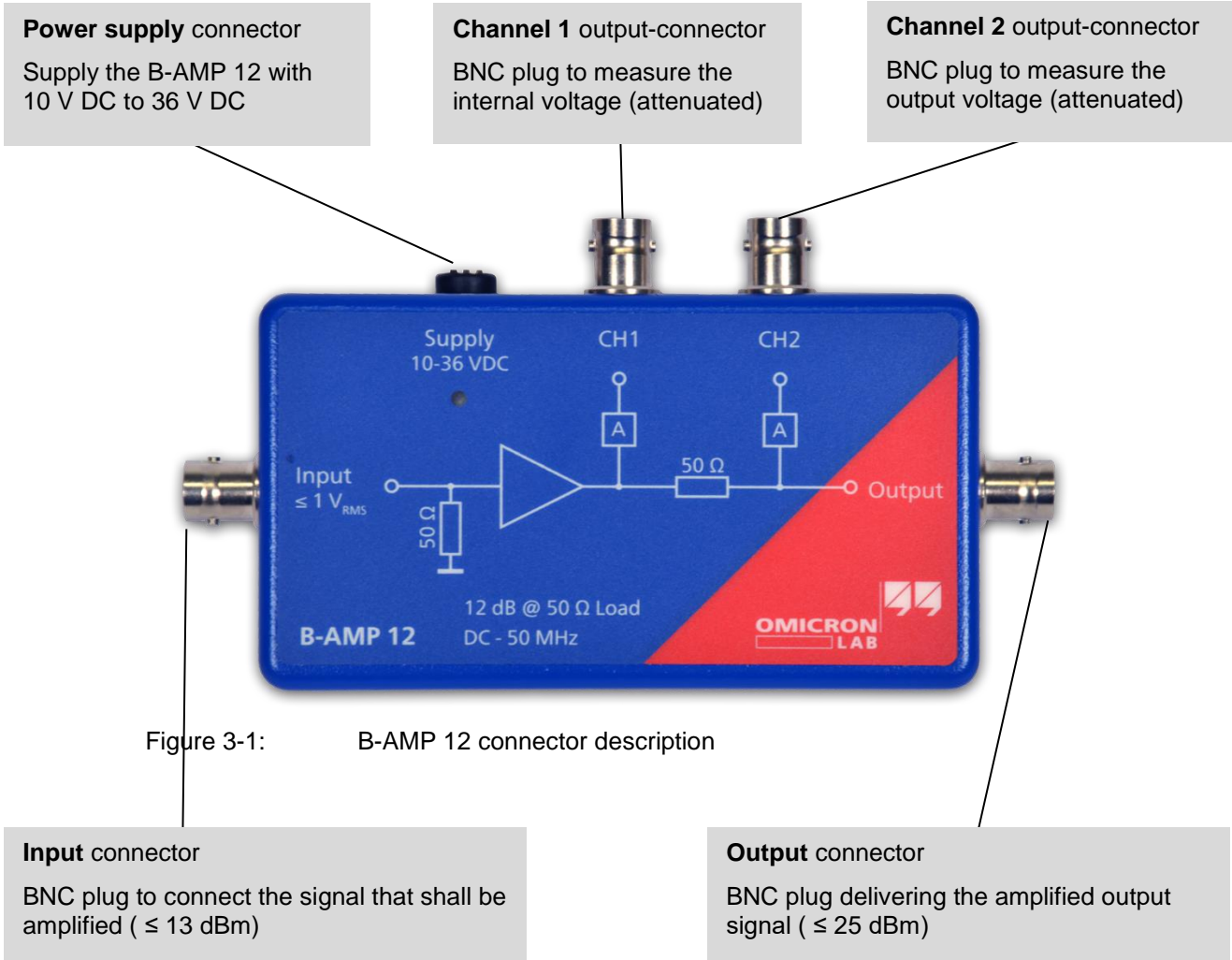


Figure 3-1: B-AMP 12 connector description

## 4 Application Information

The B-AMP 12 can be used to amplify a signal  $\leq 13$  dBm (or 1 V<sub>rms</sub> at 50  $\Omega$ ) in the frequency range from DC to 50 MHz.

The amplification factor of B-AMP 12 is 12 dB (or factor 4). Output impedance and input impedance of B-AMP 12 are 50  $\Omega$ .

### Typical applications:

1. Gain measurements  
B-AMP 12 can be used to increase the signal level during a gain measurement or an S<sub>21</sub> transmission measurement.
2. Impedance measurements  
B-AMP 12 can be used to measure impedance with higher AC signal levels.

Figure 4-1 shows a typical setup where B-AMP 12 is used to amplify the output signal of the Bode 100 vector network analyzer to measure S<sub>21</sub> of a 2-port DUT using up to 25 dBm signal level.

Figure 4-2 shows a typical setup using the B-AMP 12 to measure impedance of a one-port DUT with up to 25 dBm AC signal level. **Note:** This setup requires Open, Short and Load calibration at the DUT port.

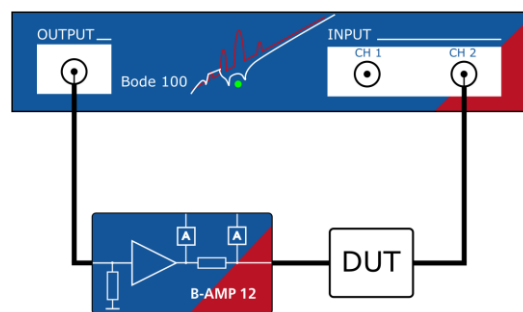


Figure 4-1: Typical transmission/gain measurement setup

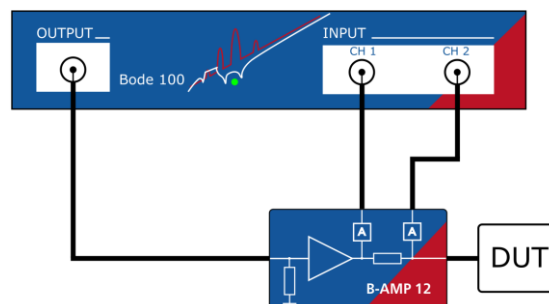


Figure 4-2: Typical impedance measurement setup

More details and information about measurements using the B-AMP 12 can be found in our application note section at: <https://www.omicron-lab.com/>

### NOTICE

- ▶ Make sure that the DUT can withstand the 25 dBm output level of B-AMP 12
- ▶ Be aware that B-AMP 12 does not indicate if the output is active or not

## 5 Technical data

Table 5-1 Specifications

General characteristic	Rating
Frequency range	DC – 50 MHz
Gain (1 Hz – 50 MHz)	12 dB $\pm$ 0.25 dB into 50 $\Omega$
Signal connector type	BNC
Input Characteristic	Rating
Maximum input signal	$\leq 1 V_{RMS}$ ( $\cong 13$ dBm / 2.83 V <sub>PP</sub> )
Input impedance	50 $\Omega$
Input return loss	> 30 dB
Damage level	10 V <sub>PP</sub>
Output Characteristic	Rating
Maximum output amplitude	25 dBm ( $\cong 11.3$ V <sub>PP</sub> ) into 50 $\Omega$
Output impedance	50 $\Omega$
Output return loss	> 30 dB
Output DC offset	< 10 mV (input and output terminated with 50 $\Omega$ )
Damage reverse power	1 W
CH1 / CH2 Characteristic	Rating
Input to CH1 attenuation	14.5 dB typ. (output terminated with 50 $\Omega$ )
Input to CH2 attenuation	20.8 dB typ. (output terminated with 50 $\Omega$ )
Output to CH2 voltage gain	-33 dB typ. ( $\cong \times 0.022$ ) into 50 $\Omega$
CH1 / CH2 return loss	> 25 dB

Table 5-2 DC power requirements

Characteristic	Rating
Supply voltage range	10 – 36 V <sub>DC</sub>
Power consumption	at 12 V: < 440mA typ. at 24 V: < 220mA typ.
Power connector / socket	Coaxial power socket (2.5 mm / 5.5 mm) Inner connector positive polarity (+)



Table 5-3 Environmental conditions

Characteristic	Rating
Operating temperature	5 °C ... +40 °C / 41 °F ... +104 °F
Storage temperature	-35 °C ... +60 °C / -31 °F ... +140 °F
Relative humidity	20 % ... 80 %, non-condensing

Table 5-4 Mechanical data

Characteristic	Rating
Dimensions (with connectors)	138 mm x 75 mm x 32 mm 5.43 inch x 2.95 inch x 1.26 inch
Weight	0.21 kg / 0.46 lbs

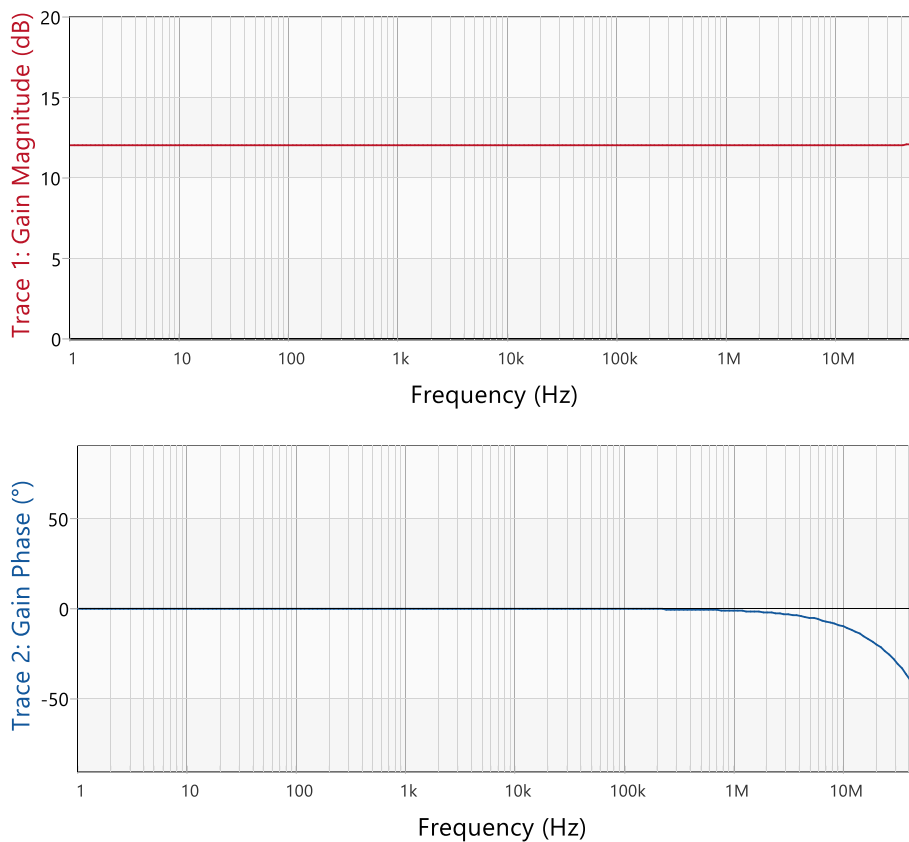


Figure 5-1 B-AMP 12 frequency response

## 6 Technical support

When you are working with our products we want to provide you with the greatest possible benefits. If you need any support, we are here to assist you!

### Technical Support - Get Support



[www.omicron-lab.com/support](http://www.omicron-lab.com/support)

[support@omicron-lab.com](mailto:support@omicron-lab.com)

At our technical support hotline, you can reach well-educated technicians for all your questions. Competent and free of charge.

Make use of our technical support hotlines:

**Americas:** +1 713 830-4660 or +1 800-OMICRON

**Asia-Pacific:** +852 3767 5500

**Europe / Middle East / Africa:** +43 59495 4444

Additionally, you can find the OMICRON Lab Service Center or Sales Partner closest to you at

[www.omicron-lab.com](http://www.omicron-lab.com) → Contact.

OMICRON Lab

OMICRON electronics GmbH,

Oberes Ried 1, 6833 Klaus, Austria. +43 59495

# 7 Safety Instructions

## EN Safety instructions, designated use and operator qualifications

### Safety Instructions:

- B-AMP 12 is a SELV (Safety Extra Low Voltage according to IEC 60950) device, also known as protection class III equipment.
- Do not apply hazardous voltage levels >50 VDC or >25 VAC to any input or output of B-AMP 12.
- Be aware that no indication on the B-AMP 12 shows that the output is active. This could be especially critical if additional amplifiers are connected to the B-AMP 12.

### Designated Use:

B-AMP 12 has been especially designed to amplify voltages smaller or equal to 1 Vrms in the range from DC – 50 MHz. B-AMP 12 has been especially designed for the use in laboratory and manufacturing environments.

### Operator qualifications:

Testing with B-AMP 12 must only be carried out by qualified, skilled and authorized personnel. Personnel receiving training, instructions, directions, or education on B-AMP 12 must be under constant supervision of an experienced operator while working with the equipment. Testing with B-AMP 12 must comply with the internal safety instructions as well as additional relevant documents.

## DE Sicherheitshinweise, bestimmungsgemäße Verwendung und Qualifikation des Bedienpersonals

### Sicherheitshinweise:

- Der B-AMP 12 ist ein SELV-Gerät (Sicherheitskleinspannung) gemäß IEC 60950 und erfüllt die Anforderungen der Schutzklasse III.
- Legen Sie an die Ein- oder Ausgänge des B-AMP 12 niemals gefährliche Spannungen > 50 VDC oder > 25 VAC an.
- Achten Sie darauf, dass am B-AMP 12 keine Anzeige darauf hinweist, dass der Ausgang aktiv ist. Dies kann besonders kritisch sein, wenn Verstärker an den B AMP 12 angeschlossen sind.

### Bestimmungsgemäße Verwendung:

Der B-AMP 12 ist speziell für die Verstärkung von Spannungen mit einem Effektivwert von bis zu 1 V und einer Frequenz von DC bis 50 MHz gedacht. Der B-AMP 12 ist ausschließlich für die Verwendung in Labor- und Produktionsumgebungen vorgesehen.

### Qualifikation des Bedienpersonals:

Prüfungen mit dem B-AMP 12 dürfen nur durch autorisierte, qualifizierte und dafür ausgebildete Personen durchgeführt werden. Zu schulisches, anzulernendes, einzuweisendes oder im Rahmen einer Ausbildung befindliches Personal darf nur unter ständiger Aufsicht einer erfahrenen Person mit dem B-AMP 12 arbeiten. Prüfungen mit dem B-AMP 12 müssen immer unter Beachtung der internen Sicherheitsbestimmungen und aller sonstigen relevanten Dokumente erfolgen.

## BG Указания за безопасност, предназначение и квалификации на оператора

### Указания за безопасност:

- B-AMP 12 представлява SELV (безопасно свръх нисковолтovo в съответствие с IEC 60950) устройство, известно също така и като оборудване с клас на защита III.
- Не прилагайте опасни нива на напрежение >50 VDC или >25 VAC към който и да било вход или изход на B-AMP 12.
- Уверете се, че индикаторът на B-AMP 12 не показва, че изходът е активен. Това е от особено значение, ако към B AMP 12 са свързани допълнителни усилватели.

### Предназначение:

B-AMP 12 е конструиран специално за усилване на напрежения, по-ниски или равни на 1 Vrms в обхвата от DC до 50 MHz. B-AMP 12 е конструиран специално за използване в лабораторна и производствена среда.

### Квалификация на оператора:

Изпитванията с B-AMP 12 трябва да се извършват само от квалифициран, опитен и упълномощен персонал. Служителите, които се обучават или инструктират за работа с B-AMP 12, трябва да бъдат под постоянния надзор на опитен оператор, докато работят с апаратурата. При извършване на изпитвания с B-AMP 12 трябва да се спазват вътрешните указания за безопасност и допълнителни приложими документи.

## CS Bezpečnostní pokyny, určené použití a kvalifikace operátora

### Bezpečnostní pokyny:

- Zařízení B-AMP 12 nese ochranu SELV (Safety Extra Low Voltage (Bezpečnostní velmi nízké napětí) podle směrnice IEC 60950), která je také známa jako třída krytí III.
- Neaplikujte nebezpečné úrovně napětí >50 VDC nebo >25 VAC na jakýkoli vstup nebo výstup B-AMP 12.
- Mějte na paměti, že na zařízení B-AMP 12 není žádné označení, které by ukazovalo, zda je výstup aktivní. Tento fakt by mohl být kritický ve chvíli, kdy by byly k zařízení B AMP 12 připojeny dodatečné zesilovače.

### Určené použití:

Zařízení B-AMP 12 bylo speciálně vyvinuto k zesílení napětí menších nebo rovných 1 Vrms v rozsahu od DC – 50 MHz. Zařízení B-AMP 12 bylo vyvinuto speciálně pro použití v laboratořích a výrobních zařízeních.

### Kvalifikace operátora:

Testování pomocí zařízení B-AMP 12 smí provádět pouze kvalifikovaná, vyškolená a pověřená osoba. Osoby, které jsou školeny, poučovány a trénovány v použití zařízení B-AMP 12, musí být při práci se zařízením pod neustálým dohledem zkušeného operátora. Testování se zařízením B-AMP 12 musí vyhovovat interním bezpečnostním pokynům a dalším relevantním dokumentům.

## DA Sikkerhedsanvisninger, tilsigtet brug og operatørkvalifikationer

### Sikkerhedsanvisninger:

- B-AMP 12 er en SELV-enhed (Safety Extra Low Voltage iht. IEC 60950), der også kaldes udstyr i beskyttelsesklasse III.
- Anvend ikke risikable spændingsniveauer >50 V jævnstrøm eller >25 V vekselstrøm på B-AMP 12's udgange.
- Vær opmærksom på, at B-AMP 12 ikke viser, om der er et aktivt output. Det kan især være kritisk, hvis der er forstærkere forbundet til B AMP 12.

### Tilsigtet brug:

B-AMP 12 er særligt udviklet til anvendelse af spænding, der er under eller lig med 1 Vrms i jævnstrømsområdet – 50 MHz. B-AMP 12 er særligt udviklet til brug i laboratorie- og produktionsmiljøer.

### Operatørkvalifikationer:

Tests med B-AMP 12-enheder må kun udføres af kvalificeret, uddannet og autoriseret personale.

Personale, der modtager oplæring, anvisninger, instruktioner eller er under oplæring til at arbejde med B-AMP 12, skal være under konstant opsyn af en erfaren operatør, når de arbejder med udstyret. Test med B-AMP 12 skal være i overensstemmelse med de interne sikkerhedsanvisninger samt supplerende relevante dokumenter.

## EL Οδηγίες ασφαλείας, προβλεπόμενη χρήση και προσόντα χειριστών

### Οδηγίες ασφαλείας:

- Το B-AMP 12 είναι μια συσκευή SELV (Συσκευή ασφαλείας εξαιρετικά χαμηλής τάσης σύμφωνα με το πρότυπο IEC 60950). Οι συσκευές τέτοιου τύπου είναι επίσης γνωστές ως "εξοπλισμός κατηγορίας III".
- Μην εφαρμόζετε επικίνδυνα επίπεδα τάσης >50 VDC ή >25 VAC σε οποιαδήποτε είσοδο ή έξοδο του B-AMP 12.
- Θυμηθείτε ότι όταν είναι ενεργή η έξοδος, δεν υπάρχει καμία σχετική ένδειξη στο B-AMP 12. Αυτό μπορεί να έχει ιδιαίτερα κρίσιμη σημασία αν συνδεθούν πρόσθετοι ενισχυτές στο B-AMP 12.

### Προβλεπόμενη χρήση:

Το B-AMP 12 έχει σχεδιαστεί ειδικά για την ενίσχυση τάσεων μικρότερων ή ίσων με 1 Vrms σε εύρος συχνοτήτων από DC έως 50 MHz. Το B-AMP 12 έχει σχεδιαστεί ειδικά για χρήση σε περιβάλλοντα εργαστηρίων και εγκαταστάσεων παραγωγής.

### Προσόντα χειριστών:

Οι δοκιμές με το B-AMP 12 πρέπει να εκτελούνται μόνο από πιστοποιημένο, ειδικευμένο και εξουσιοδοτημένο προσωπικό.

Το προσωπικό που εκτελεί πρακτική εξάσκηση ή λαμβάνει εντολές, οδηγίες ή εκπαίδευση σχετικά με το B-AMP 12 πρέπει να βρίσκεται υπό τη συνεχή επίβλεψη ενός έμπειρου χειριστή όταν εργάζεται με τον εξοπλισμό. Η εκτέλεση δοκιμών με το B-AMP 12 πρέπει να συμμορφώνεται με τις σωτηρικές οδηγίες ασφαλείας και με οποιαδήποτε επιπρόσθετα σχετικά έγγραφα.

## ES Instrucciones de seguridad, aplicación prevista y cualificaciones de los operadores

### Instrucciones de seguridad:

- El instrumento B-AMP 12 es un dispositivo SELV (Safety Extra Low Voltage, tensión de seguridad extra baja, según la norma IEC 60950), denominado también equipo de clase III.
- No aplique niveles de tensión peligrosos >50 VCC o >25 VCA a ninguna entrada o salida del instrumento B-AMP 12.
- Tenga en cuenta que el instrumento B-AMP 12 no tiene indicación alguna de que la salida esté activa. Esto podría ser especialmente crítico si los amplificadores adicionales están conectados al instrumento B-AMP 12.

### Aplicación prevista:

El instrumento B-AMP 12 está especialmente diseñado para amplificar tensiones inferiores o iguales a 1 Veficaz en el rango de CC – 50 MHz. El instrumento B-AMP 12 está especialmente diseñado para su uso en entornos de laboratorio y fabricación.

### Cualificaciones de los operadores:

Solo el personal cualificado, experimentado y autorizado debe realizar pruebas con B-AMP 12.

El personal no experimentado en el manejo del instrumento B-AMP 12 debe estar en todo momento bajo la supervisión de un operador experimentado mientras trabaja con el equipo. Al realizar pruebas con el instrumento B-AMP 12 se deben cumplir todas las instrucciones de seguridad internas, así como las instrucciones proporcionadas en cualquier otro documento que resulte pertinente.

## ET Ohutusjuhised, kasutusotstarve ja kasutaja kvalifikatsioon

### Ohutusjuhised:

- B-AMP 12 on maandamata kaitseväikepingega (Safety Extra Low Voltage, SELV) seade (kooskõlas standardi IEC 60950 nõuetega), mida teatakse ka kui III kaitseklassi seadmeid.
- Ärge kasutage seadme B-AMP 12 üheski sisendis või väljundis ohtlikku pinget > 50 V alalisvoolu või > 25 V vahelduvvoolu.
- Pange tähele, et seadmel B-AMP 12 ei ole näitu, mis osutaks sellele, et väljund oleks aktiivne. Seda on äärmiselt oluline jälgida, kui seade B-AMP 12 on ühendatud täiendavate võimenditega.

### Ettenähtud kasutusotstarve:

B-AMP 12 on spetsiaalselt mõeldud 1 Vrms või sellest väiksemate pingete võimendamiseks vahemikus DC – 50 MHz. B-AMP 12 on spetsiaalselt mõeldud kasutamiseks labori- ja tootmiskeskondades.

### Kasutaja kvalifikatsioon:

seadmega B-AMP 12 võivad testimist läbi viia üksnes vastavate volitustega kogenud ja väljaõppega töötajad.

Töötajad, kes läbivad seadme B-AMP 12 kasutamise väljaõpet või koolitust või keda juhendatakse selles valdkonnas, peavad seadmega töötamise ajal olema kogenud kasutaja pideva järelevalve all. Seadmega B-AMP 12 testimine peab toimuma ettevõtte sisemiste ohutusnõuete ja ohutusega seotud lisadokumentide kohaselt.

## FI Turvallisuusohjeet, käyttötarkoitus ja käyttäjän pätevyys

### Turvallisuusohjeet:

- *B-AMP 12* on SELV-laite (Safety Extra Low Voltage, suojaava pienoisjännite standardin IEC 60950 mukaan), joka tunnetaan myös suojausluokan III laitteena.
- Älä käytä vaarallisia jännitetasoja  $>50$  V DC tai  $>25$  V AC *B-AMP 12*-laitteen syöttö- tai lähtöliitännöissä.
- Ota huomioon, ettei *B-AMP 12* -laitteesta näe, että sen lähtö on aktiivinen. Tämä voi olla kriittistä erityisesti silloin, jos *B-AMP 12* -laitteeseen on kiinnitetty lisävahvistimia.

### Käyttötarkoitus:

*B-AMP 12* on erityisesti kehitetty 1 Vrms:n tai sitä pienempien jännitteiden vahvistamiseen alkaen DC – 50 MHz:n alueelta. *B-AMP 12* on erityisesti kehitetty käytettäväksi laboratorio- ja tuotantoympäristöissä.

### Käyttäjän pätevyys:

*B-AMP 12* -laitteella tehtävään testaukseen osallistuvilla henkilöillä tulee olla asianmukainen pätevyys, ammattitaito ja valtuutus. Henkilöiden, jolle annetaan *B-AMP 12* -laitetta koskevaa koulutusta, ohjeistusta, opastusta tai valmennusta, tulee olla kokeneen käyttäjän jatkuvan valvonnan alaisina käsitellessään laitteistoa. *B-AMP 12* -laitteella tehtävän testauksen täytyy olla sisäisten turvallisuusohjeiden sekä muiden asianmukaisten dokumenttien mukaista.

## FR Consignes de sécurité, utilisation prévue et qualifications des opérateurs

### Consignes de sécurité :

- Le *B-AMP 12* est un dispositif TBTS (Très Basse Tension de Sécurité, au sens de la norme CEI 60950), également connu sous le nom d'équipement de protection de classe III.
- N'appliquez à aucune entrée ou sortie du *B-AMP 12* des tensions dangereuses supérieures à 50 V en courant continu ou à 25 V en courant alternatif.
- Soyez conscient qu'aucune indication ne signale sur le *B-AMP 12* que la sortie est active. Redoublez particulièrement de vigilance dans le cas où des amplificateurs supplémentaires sont raccordés au *B-AMP 12*.

### Utilisation prévue :

Le *B-AMP 12* est spécialement conçu pour amplifier les tensions inférieures ou égales à 1 V<sub>eff</sub> dans la gamme allant du courant continu à 50 MHz. Le *B-AMP 12* est spécialement conçu pour une utilisation en laboratoire et dans les centres de fabrication.

### Qualifications des opérateurs :

Les essais effectués à l'aide du *B-AMP 12* doivent être exclusivement réalisés par du personnel qualifié, compétent et agréé. Le personnel qui reçoit une formation, des instructions ou des directives quant à l'utilisation du *B-AMP 12* doit rester sous la supervision permanente d'un opérateur expérimenté pendant le travail avec l'équipement. Les essais effectués à l'aide du *B-AMP 12* doivent être conformes aux consignes de sécurité internes et à tout autre document pertinent.

## HR Sigurnosne upute, predviđena namjena i kvalifikacije rukovatelja

### Sigurnosne upute:

- *B-AMP 12* je SELV uređaj (engl. Safety Extra Low Voltage prema standardu IEC 60950) poznati i kao zaštitna oprema III. klase.
- Ne dovodite na ulaze i izlaze uređaja *B-AMP 12* opasno visok napon, tj. napon  $>50$  VDC ili  $>25$  VAC.
- Obratite pozornost da na uređaju *B-AMP 12* nema nikakvih indikacija da je izlaz aktivan. Ovo može biti osobito kritično ako su na *B-AMP 12* priključeni dodatni pojačivači.

### Predviđena namjena:

*B-AMP 12* posebno je dizajniran za povećanje napona manjeg ili jednakog 1 Vrms u rasponu od DC – 50 MHz. *B-AMP 12* posebno je dizajniran za upotrebu u laboratoriju i u proizvodnom okruženju.

### Kvalifikacije rukovatelja:

Ispitivanje pomoću *B-AMP 12* smiju provoditi samo kvalificirani, stručni i ovlaštteni zaposlenici. Zaposlenici koji prolaze izobrazbu, instrukcije, poduku ili tečaj o uređaju *B-AMP 12* moraju biti pod stalnim nadzorom iskusnog rukovatelja prilikom rada s opremom. Ispitivanje uređajem *B-AMP 12* mora biti u skladu s unutarnjim sigurnosnim uputama i dodatnim relevantnim dokumentima.

## HU Biztonsági utasítások, rendeltetésszerű használat és kezelői szakképesítési követelmények

### Biztonsági utasítások:

- A *B-AMP 12* (az IEC 60950 szabvány szerinti) biztonsági törpefeszültségű (SELV) – más jelölés szerint III. érintésvédelmi osztályú – készülék.
- Tilos a *B-AMP 12* készülék bármely bemenetére vagy kimenetére 50 V egyenáramú (DC) vagy 25 V váltakozó áramú (AC) feszültségnél nagyobb, veszélyes jelszintet kapcsolni.
- Vegye figyelembe, hogy a *B-AMP 12* készülék nem jelzi a kimenet aktív állapotát. Ez különösen akkor lehet kritikus fontosságú, ha a *B-AMP 12* készülék kimenetére erősítők csatlakoznak.

### Rendeltetésszerű használat:

A *B-AMP 12* készülék kifejezetten 1 V<sub>eff</sub> vagy az alatti feszültségek –50 MHz tartományban való erősítésére készült. A *B-AMP 12* készülék kifejezetten laboratóriumi és gyártási környezetekben való használatra készült.

### Kezelői szakképesítési követelmények:

A *B-AMP 12* készülékkel csak szakképzett, gyakorlatlalt rendelkező és ezzel megbízott személyek végezhetnek vizsgálatokat. A *B-AMP 12* készülék kezelésére vonatkozó betanításban, utasításokban, útmutatásban vagy oktatásban részesülő személyeket a készülék használata során folyamatosan felügyelnie kell egy tapasztalt kezelőnek. A *B-AMP 12* készülékkel végzett vizsgálatok során be kell tartani a belső biztonsági utasításokat és a további vonatkozó dokumentumokban foglaltakat.

## IT Istruzioni di sicurezza, utilizzo previsto e qualifiche degli operatori

### Istruzioni di sicurezza:

- *B-AMP 12* è un dispositivo SELV (Safety Extra Low Voltage, vale a dire a bassissima tensione di sicurezza, secondo IEC 60950), chiamato anche apparecchio con classe di protezione III.
- Non applicare livelli di tensione pericolosi >50 V CC o >25 V CA agli ingressi o alle uscite di *B-AMP 12*.
- Attenzione: il *B-AMP 12* non segnala in alcun modo l'attivazione dell'uscita. Questo può comportare problemi, soprattutto in caso di collegamento di amplificatori al *B-AMP 12*.

### Utilizzo previsto:

*B-AMP 12* è stato appositamente progettato per l'amplificazione di tensioni minori o uguali a 1 Vrms nel campo da CC – 50 MHz.

*B-AMP 12* è stato appositamente progettato per l'impiego nei laboratori e negli ambienti di produzione.

### Qualifiche degli operatori:

Le prove con il *B-AMP 12* devono essere condotte solo da personale esperto autorizzato e qualificato.

Quando utilizza l'apparecchiatura, il personale che riceve addestramento, istruzioni o formazione sul *B-AMP 12* deve trovarsi sotto la costante supervisione di un operatore esperto. Le prove eseguite con il *B-AMP 12* devono rispettare le istruzioni di sicurezza interne e i documenti aggiuntivi relativi.

## LT Saugos nurodymai, numatytasis naudojimas ir operatoriaus kvalifikacijos

### Saugos nurodymai

- *B-AMP 12* yra saugios žemiausiosios įtampos (angl. „Safety Extra Low Voltage“, SELV pagal IEC 60950) prietaisas, dar vadinamas III apsaugos klasės įranga.
- Prie *B-AMP 12* įvadų ir išvadų neįjunkite pavojingos įtampos (>50 V nuolatinės arba >25 V kintamosios).
- Įsitinkite, kad nė vienas *B-AMP 12* indikatorius nerodo, jog įjungtas prietaiso išvadas. Šis reikalavimas yra ypač svarbus, jei prie *B-AMP 12* jungiami papildomi stiprintuvai.

### Numatytasis naudojimas

*B-AMP 12* konkrečiai skirtas mažesnei kaip 1 Vrms arba lygiai 1 Vrms įtampai didinti intervale nuo nuolatinės srovės iki 50 MHz.

*B-AMP 12* konkrečiai skirtas naudoti laboratorijose ir gamybinėse patalpose.

### Operatoriaus kvalifikacijos

Bandydami su *B-AMP 12* leidžiama atlikti tik kvalifikuotiems, įgudusiems ir įgaliotiems darbuotojams.

Darbuotojai, kurie mokomi, instruktuojami ir kuriems nurodoma arba aiškinama, kaip dirbti su *B-AMP 12*, turi būti nuolat, kol dirbama su įranga, prižiūrimi patyrusio operatoriaus. Bandymai su *B-AMP 12* turi būti atliekami laikantis vidaus saugos nurodymų ir kitų svarbių dokumentų.

## LV Drošības instrukcijas, paredzētā izmantošana un operatora kvalifikācija

### Drošības instrukcijas

- *B-AMP 12* ir SELV (Safety Extra Low Voltage — sevišķi zema drošības sprieguma — atbilstoši IEC 60950) ierīce jeb III aizsardzības klases aprīkojums.
- Nepievadiet *B-AMP 12* ieejām un izejām bīstama līmeņa spriegumu, kas pārsniedz 50 V līdzstrāvu vai 25 V maiņstrāvu.
- Ņemiet vērā, ka *B-AMP 12* nav rādījuma, kas informētu par to, ka izeja ir aktīva. Tas ir īpaši svarīgi gadījumā, kad *B-AMP 12* ir pievienoti papildu pastiprinātāji.

### Paredzētā izmantošana

*B-AMP 12* ir īpaši izstrādāts spriegumu, kas ir mazāki vai vienādi ar 1 Vrms, mērīšanai diapazonā no līdzstrāvas līdz 50 MHz.

*B-AMP 12* ir īpaši izstrādāts lietošanai laboratoriju un ražošanas vidē.

### Operatora kvalifikācija

Testēšanu ar *B-AMP 12* atļauts veikt tikai atbilstoši pilnvarotiem un kvalificētiem darbiniekiem ar nepieciešamajām prasmēm.

Strādājot ar aprīkojumu, darbiniekiem, kas piedalās apmācībās, saņem instrukcijas, norādījumus vai izglītojošu informāciju par *B-AMP 12*, jāatrodas nepārtrauktā pieredzējuša operatora uzraudzībā. Testēšanai ar *B-AMP 12* jāatbilst iekšējām drošības instrukcijām un attiecīgajiem papildu dokumentiem.

## NL Veiligheidsinstructies, beoogd gebruik en kwalificaties van de bediener

### Veiligheidsinstructies:

- De *B-AMP 12* is een SELV-apparaat (Safety Extra Low Voltage, volgens IEC 60950), ook wel bekend als apparatuur van beschermingsklasse III.
- Plaats geen gevaarlijke spanningsniveaus (>50 VDC of >25 VAC) op de in- of uitvoeraansluitingen van de *B-AMP 12*.
- Houd er rekening mee dat op de *B-AMP 12* niet wordt aangegeven wanneer de uitvoer actief is. Dit kan vooral van belang zijn indien er versterkers op de *B-AMP 12* zijn aangesloten.

### Beoogd gebruik:

De *B-AMP 12* is speciaal ontworpen voor het versterken van spanningen kleiner dan 1 Vrms, in het bereik vanaf DC – 50 MHz. De

*B-AMP 12* is speciaal ontworpen voor gebruik in laboratorium- en productieomgevingen.

### Kwalificaties van de bediener:

Tests met de *B-AMP 12* mogen alleen worden uitgevoerd door ervaren, gekwalificeerd en hiertoe bevoegd personeel.

Personen die via een training, een cursus, instructies of aanwijzingen bekend worden gemaakt met het gebruik van de *B-AMP 12*, moeten continu onder toezicht van een ervaren bediener staan wanneer ze met de apparatuur werken. Het testen met de *B-AMP 12* moet aan de interne veiligheidsinstructies en aanvullende veiligheidsrelevante documenten voldoen.

## PL Instrukcje bezpieczeństwa, przeznaczenie i kwalifikacje operatora

### Instrukcje bezpieczeństwa:

- *B-AMP 12* to zabezpieczone urządzenie niskonapięciowe (ang. Safety Extra Low Voltage — SELV) zgodne z normą IEC 60950, zwane też urządzeniem zabezpieczającym o stopniu ochrony III.
- Do wejść ani wyjść urządzenia *B-AMP 12* nie wolno przykładać niebezpiecznych napięć powyżej 50 V DC lub 25 V AC.
- Pamiętaj, że na urządzeniu *B-AMP 12* nie ma wskaźników sygnalizujących, że wyjście jest aktywne. Jest to szczególnie istotne, gdy do urządzenia *B-AMP 12* podłączone są dodatkowe wzmacniacze.

### Przeznaczenie:

Urządzenie *B-AMP 12* służy do wzmacniania napięć 1 Vrms lub mniejszych w zakresie od DC do 50 MHz. Urządzenie *B-AMP 12* jest przeznaczone do użytkowania w warunkach laboratoryjnych i produkcyjnych.

### Kwalifikacje operatora:

Testy za pomocą urządzenia *B-AMP 12* mogą być prowadzone wyłącznie przez wykwalifikowany i autoryzowany personel mający odpowiednie umiejętności.

Podczas pracy ze sprzętem przeszkolony personel zapoznany z instrukcjami, wytycznymi i obsługą urządzenia *B-AMP 12* musi znajdować się pod stałym nadzorem doświadczonej osoby. Testy przeprowadzane przy użyciu urządzenia *B-AMP 12* muszą być zgodne z wewnętrznymi instrukcjami bezpieczeństwa oraz dodatkowymi obowiązującymi dokumentami.

## PT Instruções de segurança, uso designado e qualificações do operador

### Instruções de segurança:

- O *B-AMP 12* é um dispositivo SELV (Tensão de segurança extra-baixa conforme a IEC 60950), também conhecido como equipamento de proteção classe III.
- Não aplique níveis de tensão perigosos >50 V CC ou >25 V CA a nenhuma entrada ou saída do *B-AMP 12*.
- Fique atento para que nenhuma indicação no *B-AMP 12* mostre que a saída está ativa. Isto pode ser especialmente crítico se os amplificadores estiverem conectados ao *B-AMP 12*.

### Uso designado:

O *B-AMP 12* foi criado especialmente para amplificar tensões maiores ou iguais a 1 Vrms na faixa de CC – 50 MHz. O *B-AMP 12* foi criado especialmente para ser utilizado em laboratórios e em ambientes de produção.

### Qualificações do operador:

Testes com o *B-AMP 12* devem ser realizados apenas por pessoal autorizado, capacitado e qualificado.

Pessoal em fase de treinamento, instrução, orientação ou aprendizado sobre o *B-AMP 12* deve permanecer sob a constante supervisão de um operador experiente ao trabalhar com o equipamento. O teste com o *B-AMP 12* deve estar em conformidade com as instruções de segurança internas e com os documentos relevantes adicionais.

## RO Instrucțiuni de siguranță, destinația de utilizare și calificările operatorului

### Instrucțiuni de siguranță:

- *B-AMP 12* este un dispozitiv SELV (cu tensiune foarte joasă pentru siguranță conform IEC 60950), cunoscut și drept echipament din clasa de protecție III.
- A nu se aplica niveluri periculoase ale tensiunii >50 V CC sau >25 V CA pe ieșirile produsului *B-AMP 12*.
- De reținut că produsul *B-AMP 12* nu indică dacă ieșirea este activă. Acest aspect poate avea importanță critică dacă sunt conectate amplificatoare la produsul *B-AMP 12*.

### Destinația de utilizare:

*B-AMP 12* a fost proiectat special pentru amplificarea tensiunilor mai mici sau egale cu 1 Vrms de la CC la 50 MHz. *B-AMP 12* a fost proiectat special pentru utilizare în medii de laborator și de producție.

### Calificările operatorului:

Testarea cu *B-AMP 12* trebuie efectuată exclusiv de personal calificat, instruit și autorizat.

Personalul în curs de instruire, dirijare și educare privind produsul *B-AMP 12* trebuie să se afle sub supravegherea permanentă a unui operator experimentat când efectuează lucrări cu echipamentul. Testarea cu *B-AMP 12* trebuie să se conformeze instrucțiunilor de siguranță internă, precum și documentației suplimentare relevante.

## SK Bezpečnostné pokyny, určené použitie a kvalifikácia obsluhy

### Bezpečnostné pokyny:

- *B-AMP 12* je zariadenie typu SELV (s bezpečným veľmi nízkym napätím podľa STN EN 60950), známe aj ako zariadenie ochrannej triedy III.
- Na vstup ani výstup zariadenia *B-AMP 12* neaplikujte nebezpečné úrovne napätia >50 V jednosmerného prúdu alebo >25 V striedavého prúdu.
- Majte na pamäti, že na zariadení *B-AMP 12* nie je žiadna signalizácia, ktorá by ukazovala, že výstup je aktívny. Táto skutočnosť by mohla byť zvlášť kritická, keď sa k zariadeniu *B-AMP 12* pripoja ďalšie zosilňovače.

### Určené použitie:

Zariadenie *B-AMP 12* je špeciálne konštruované na zosilňovanie napätí menších alebo rovnajúcich sa  $1 V_{ef}$  v rozmedzí od jednosmerného prúdu do 50 MHz. Zariadenie *B-AMP 12* je špeciálne konštruované na použitie v laboratórnom a výrobnom prostredí.

### Kvalifikácia obsluhy:

Testovanie pomocou zariadenia *B-AMP 12* môže vykonávať len vyškolený, skúsený a oprávnený personál.

Na pracovníkov, ktorí momentálne absolvujú školenie, zaúčajú sa alebo sa vzdelávajú v súvislosti so zariadením *B-AMP 12*, musí pri práci so zariadením vždy dohliadať skúsený operátor. Testovanie pomocou zariadenia *B-AMP 12* sa musí vykonávať v zhode s internými bezpečnostnými pokynmi, ako aj ďalšou príslušnou dokumentáciou.

## SL Varnostna navodila, predvidena uporaba in kvalifikacije upravljavca

### Varnostna navodila:

- *B-AMP 12* je naprava z napetostjo SELV (varna zelo nizka napetost v skladu s standardom IEC 60950), znana tudi kot oprema z zaščitnim razredom III.
- Na vhodih ali izhodih naprave *B-AMP 12* ne uporabljajte nevarne napetosti > 50 VDC ali > 25 VAC.
- Upoštevajte, da nobena oznaka na napravi *B-AMP 12* ne prikazuje, da je izhod aktiven. To je še posebej pomembno, če so na napravo *B-AMP 12* priključeni dodatni ojačevalniki.

### Predvidena uporaba:

Naprava *B-AMP 12* je posebej zasnovana za ojačitev napetosti, ki so manjše ali enake  $1 V_{rms}$  v razponu od – 50 MHz enosmernege toka. Naprava *B-AMP 12* je posebej zasnovana za uporabo v laboratorijih in proizvodnih obratih.

### Kvalifikacije upravljavca:

Preizkušanje z napravo *B-AMP 12* lahko izvaja samo kvalificirano, usposobljeno in pooblaščen osebje.

Osebe, ki se usposablja, prejema navodila ali se izobražuje o napravi *B-AMP 12*, mora biti med delom z opremo pod stalnim nadzorom izkušenega upravljavca. Preizkušanje z napravo *B-AMP 12* mora biti skladno z notranjimi varnostnimi navodili in dodatnimi ustreznimi dokumenti.

## SV Säkerhetsinstruktioner, avsedd användning och användarkvalifikationer

### Säkerhetsinstruktioner

- *B-AMP 12* är en SELV-enhet (Safety Extra Low Voltage enligt IEC 60950), som också kallas utrustning i skyddsklass III.
- Anslut inte farliga spänningsnivåer >50 V DC eller >25 V AC till en ingång eller utgång på *B-AMP 12*.
- Tänk på att ingen indikator på *B-AMP 12* visar att utgången är aktiv. Detta kan vara särskilt kritiskt om det har anslutits fler förstärkare till *B-AMP 12*.

### Avsedd användning:

*B-AMP 12* har utformats speciellt för att förstärka spänningar som är mindre eller lika med  $1 V_{rms}$  i området från DC – 50 MHz. *B-AMP 12* har utformats speciellt för användning i laboratorie- och tillverkningsmiljöer.

### Användarkvalifikationer:

Test med *B-AMP 12* ska endast utföras av kvalificerad, kunnig och auktoriserad personal.

Personal som får utbildning, instruktioner, anvisningar eller undervisning om *B-AMP 12* måste vara under ständig övervakning av en erfaren operatör medan de arbetar med utrustningen. Test med *B-AMP 12* måste följa interna säkerhetsinstruktioner, samt ytterligare relaterade dokument.



